

P05218

NUVO Children's Toilet Frame

⚠ General Safety Warning ⚠

Please make sure that you read and follow these instructions carefully. Keep these instructions in a safe place for future reference.

1. INTENDED USE

To assist users in lowering onto and rising from the toilet. It provides comfortable support for the user when getting on and off the toilet. An optional floor fixing kit is also available (P63989).

2. SAFETY

WARNING: The maximum user weight must not be more than 76 kg (12 st).

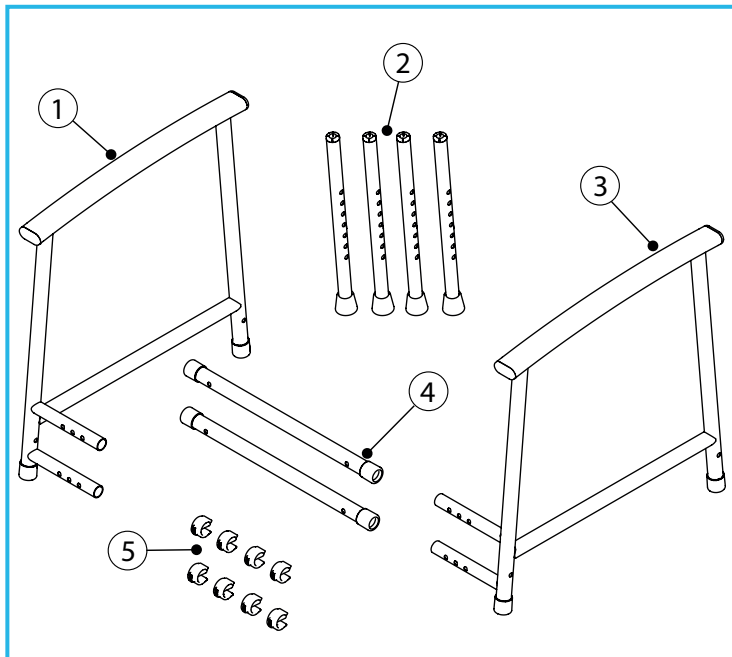
DO NOT: Attempt to climb on the product.

MAKE SURE: All legs are the same height to avoid rocking.

CHECK: All E-clips are fully inserted.

3. UNPACKING

Remove the packaging and check all parts carefully. Contact your supplier immediately if parts are missing or damaged and do not try and assemble.



3.1 Contents:

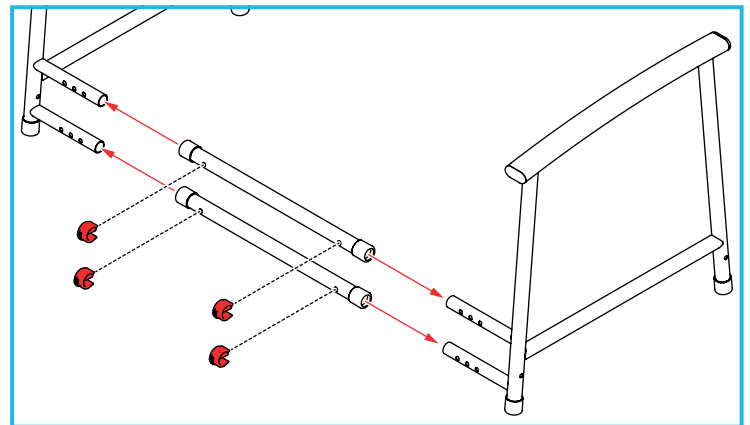
1. Side-frame Assembly (RH) x 1
2. Leg Extensions x 4
3. Side-frame Assembly (LH) x 1
4. Crossbar x 2
5. E-clips x 8

4. ASSEMBLY

4.1 Fitting the Crossbars:

Slot the crossbars onto the side-frame assemblies and adjust to the correct width for the user.

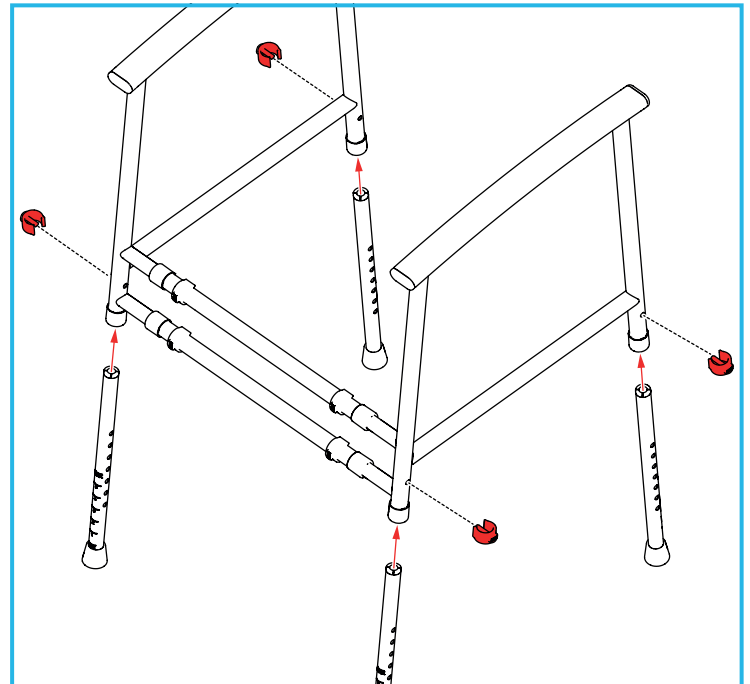
Maximum User Weight



Align the holes and secure with the E-clips.

Note: Make sure that the side-frames and crossbars have been set to the same width/adjustment holes.

4.2 Fitting the Leg Extensions:



Slot the leg extensions into the side-frame assemblies and adjust to the correct height for the user.

Align the holes and secure with the E-clips.

Note: Use the leg adjustment markings to make sure that all leg extensions have been set to the same height.

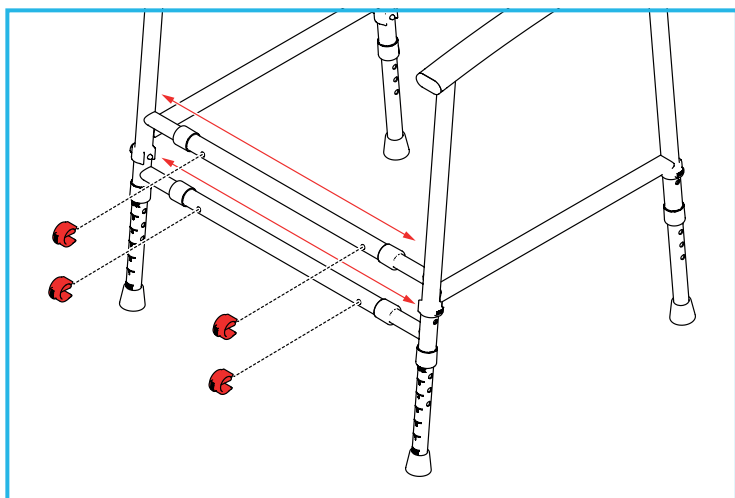
4.3 Fitting the Floor Fixing Kit

Please refer to the user instructions provided with the optional floor fixing kit (P63989).

5. IN USE

5.1 Adjusting the Width:

Remove the E-clips and adjust the side-frame assemblies to the required width.

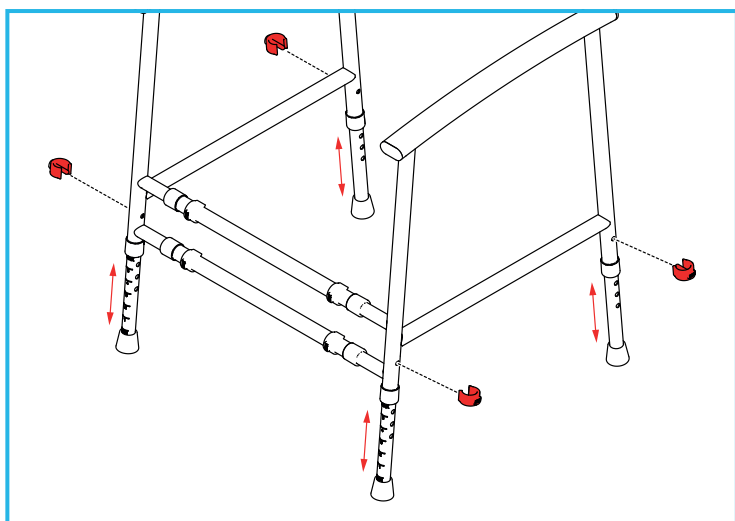


Align the holes and replace the E-clips.

Note: Make sure that the side-frames and crossbars have been set to the same width/adjustment holes.

5.2 Adjusting the Height:

Remove the E-clips and adjust the leg extensions to the required height.



Align the holes and replace the E-clips.

Note: Use the leg adjustment markings to make sure that all leg extensions have been set to the same height.

6. MAINTENANCE

Check that all E-clips are inserted correctly and there is no excessive movement.

Inspect the product regularly for signs of wear or damage, pay particular attention to the condition of the ferrules. Any suspected faults or damage should immediately be reported to the supplier and the product taken out of use.

7. CLEANING INSTRUCTIONS

Please check the suitability of the cleaning products before use. Do not use abrasive cleaners or cloths as these could permanently damage the surface and invalidate any warranty.

Clean the frame regularly, using a general purpose, neutral detergent and warm water.

To disinfect, wipe with a dilute bleach solution, and rinse thoroughly with fresh water.

Allow product to fully dry prior to use/storage.

8. ACCESSORIES & SPARE PARTS

P63989 - NUVO Floor Fixing Kit.

P11668 - NUVO Spares Kit:

- Oval End Cap x 4, Ferrule x 4, E-clips x 4, Anti-rattle collar x 4

For more details please visit our website or call Customer Services on the details below.

9. PRODUCT DISPOSAL

This product must be thoroughly cleaned/sterilised prior to disposal.

This product is manufactured from metal & plastic and can be disposed of through Local Authority Household Waste and Recycling Centres or through Local Trade Waste Collectors.

10. PRODUCT GUARANTEE

NRS Healthcare guarantee this product for a period of 24 months, from the date of purchase, against faulty materials and workmanship.

This guarantee does not cover abuse, interference or tampering with any part of the products. Issues arising from fair wear & tear and customer misuse are not covered.

This guarantee covers domestic use only. If the product is used in commercial or semi-commercial settings such as care homes, schools, rental or communal accommodation etc, the guarantee is valid for one year only. Consumable parts are also guaranteed for one year only.

Any guarantee issued by NRS Healthcare does not affect your statutory rights.

NRS HEALTHCARE Sherwood House, Cartwright Way, Forest Business Park, Bardon Hill
Coalville Leicestershire, LE67 1UB, UK.

Tel: Customer Services: +44 (0)345 121 8111

Email: customerservice@nrshealthcare.co.uk

NRS Healthcare is a leading supplier of community equipment and daily living aids.

Please visit one of our websites to view our full range of products:

www.healthcarepro.co.uk or www.completecareshop.co.uk