

Product Range

P05218 Children's Toilet Frame

Product Description & Intended Purpose

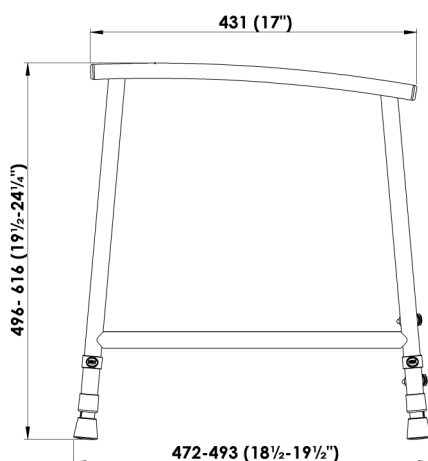
The Children's Toilet Frame is designed to assist children in lowering onto and rising from the toilet. It provides secure and comfortable support for the child.

Product Features

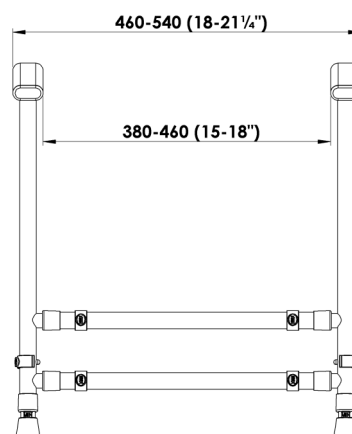
- Contemporary design with comfortable handles.
- Lightweight steel frame, powder coated white.
- Height and width adjustable.
- Designed to provide optimum stability.



TECHNICAL SPECIFICATION - ALL DIMENSIONS IN MM (INCHES)



SAFE WORKING LOAD 76KG (12 STONE)



Installation Information: *(Note: for detailed information refer to User Instructions)*

Assembly

- Attach the cross bars to side frames and insert 'e-clips'. Ensure cross bars are set to equal width.
- Insert the leg extensions by sliding into the frame legs to correct height and insert an 'e-clip'.

To adjust the height:

- Remove the 'e-clips' and slide the legs to the desired position and re-insert the 'e-clips'.

To adjust the width:

- Remove the 'e-clips' and slide the cross bars to the desired position and re-insert the 'e-clips'.

Product Technical Data Sheet 049

P05218 Children's Toilet Frame

Safety Precautions

- Ensure all four legs are set to the same height to prevent rocking and instability.
- Do not exceed the safe working load of the product, 76 Kg (12 Stone).
- Do not climb on the product.

Cleaning

- Clean regularly using a general purpose, neutral detergent and warm water.
- Please check the suitability of the cleaning products before use. Do not use abrasive cleaners or cloths as this will permanently damage the surface and invalidate any warranty.
- To disinfect, wipe with a dilute bleach solution and rinse thoroughly with fresh water.
- Allow product to dry thoroughly prior to use/storage.

Care & Maintenance

- Check that all fixing clips are inserted correctly and there is no excessive movement.
- Inspect the product regularly for signs of wear or damage, paying particular attention to the condition of the ferrules and e-clips.
- Any suspected faults or damage should immediately be reported to the supplier and the product taken out of use.

Accessories / Related Products

None

FAQ's

- How do I know what height to set the frame at for my child?

When your child is seated on the toilet, their elbows should rest on the arms of the toilet frame.

Product Supplied By:

NRS Healthcare Sherwood House, Cartwright Way, Forest Business Park, Bardon Hill, Coalville, Leicestershire. LE67 1UB UK