

”Everything is placed within your reach – regardless of your height”



DIAGONAL

YOUR KITCHEN CABINET COMES FORWARDS AND REACHES NEW HEIGHTS

Electrical height adjustable system Diagonal is a system of cabinets that runs diagonally down and forward in one movement in order for you to reach the contents of the cabinets.

Ideal for users of slight stature and for wheelchair users at home, in sheltered accommodation or nursing homes.

Especially for people with limited reach it is an advantage that the cabins run diagonally down and forward so the limited reach is not so long.

You can combine more upper cabinets in one system by using the Diagonal system.

Movement of the system is by push button, normally mounted into the worktop fascia.

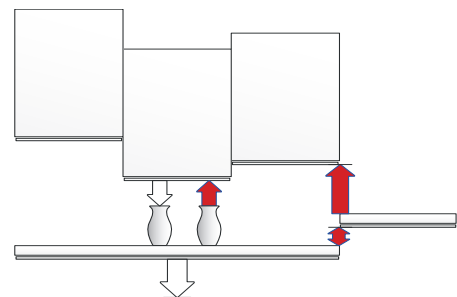
Smartbox for connecting the safety systems of several units – In principle, the collision protection devices of one or more Verti-Inside, VertiElectric, DiagonalElectric and FlexiElectric can be connected. Each system requires its own Smartbox.

Note: Smartbox cannot be combined with FlexiPlus.

* Disclaimer; "only applies when table top or cabinet moves up into another smartbox-connected safety strip or safety stop plate".



With the safety stop plate, the danger of trapping is reduced.



Smartbox installed to avoid trapping during upwards movement*

ROPOX™

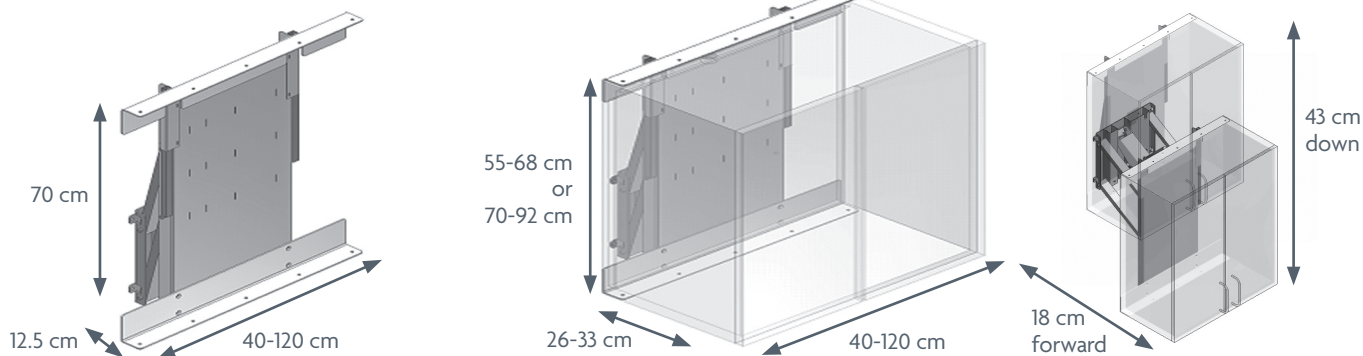
BETTER WAYS TO BETTER DAYS

– A PART OF AddLife®

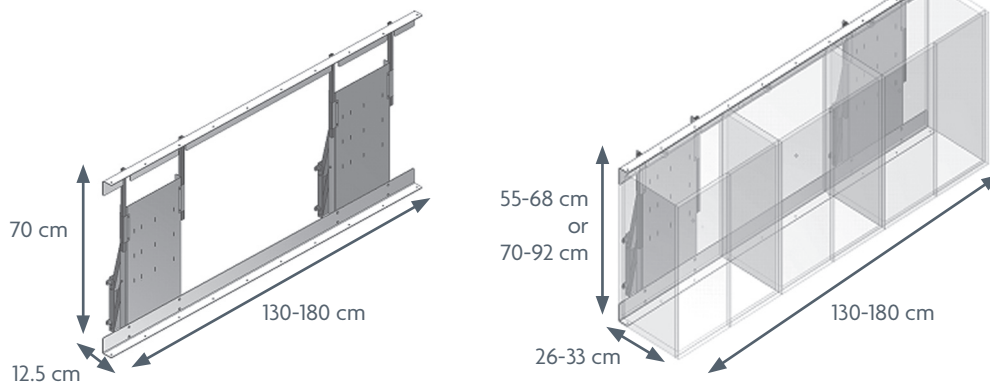
DIAGONAL

Max. load: 120 kg evenly distributed
 Height: 55-68 cm or 70-92 cm
 Length: 40-180 cm
 Width: 12.5 cm
 Height adjustment: 70.4-92 cm

DIAGONAL – frame for 40-50 cm wall unit,
 Item: 30-40904 – 30-40912



DIAGONAL – frame for 130-150 cm wall unit,
 Item: 30-40913 – 30-40918



ACCESSORIES

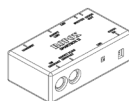
Ropox Bluetooth
 Item: 30-90591



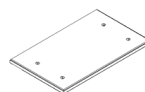
Press pad, large
 Item: 30-67841



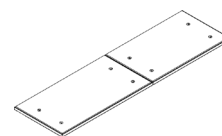
Smartbox
 Coupling safety stop
 Item: 30-69002



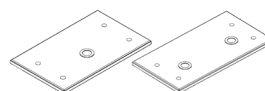
Safety stop plate
 Cabin width 40 to 120 cm
 Item: 30-41604 to 30-41612



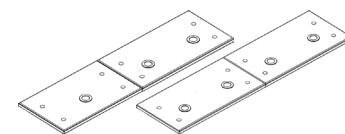
Safety stop plate, double plate
 Cabin width 130 to 180 cm
 Item: 30-41613 to 30-41618



Safety stop plate with LED spot
 Cabin width 40 to 120 cm
 1 spot Item: 30-42604 to 30-42606
 2 spot Item: 30-42607 to 30-42612



Safety stop plate with LED spot
 Cabin width 130 to 180 cm
 3 spot Item: 30-42613
 4 spot Item: 30-42614 to 30-42618



TIPS:

- We recommend double kitchen doors for cabinets for widths from 60 cm. In that way the users don't need to move back to open the doors.
- Allow 3-5 mm of space on each side of the upper cabinets to make sure that the cabinets can run freely up and down.
- We always recommend safety stops for electrical frames.

NB! Find more information about measurements, technical data, installation interfaces and much more under the product and in the instruction manuals on our website.

The items are produced according to the following Standard: DS / ISO 17966:2016

ROPOX A/S · Ringstedgade 221 · 4700 Naestved, Denmark – Phone: +45 5575 0500 · info@ropox.com · www.ropox.com

ROPOX™
 BETTER WAYS TO BETTER DAYS

– A PART OF AddLife®