

NUVO Children's Height Adjustable Commode

The Nuvo Children's Height Adjustable Commode is height and width adjustable, with comfortable foam seating and backrest, to support children when toileting.

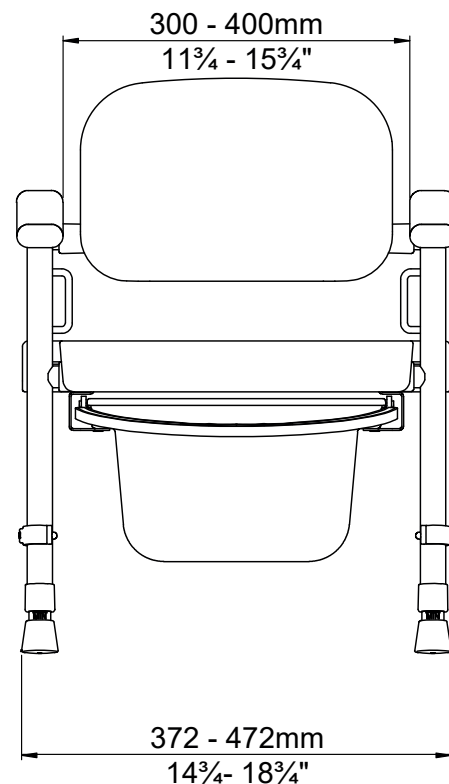
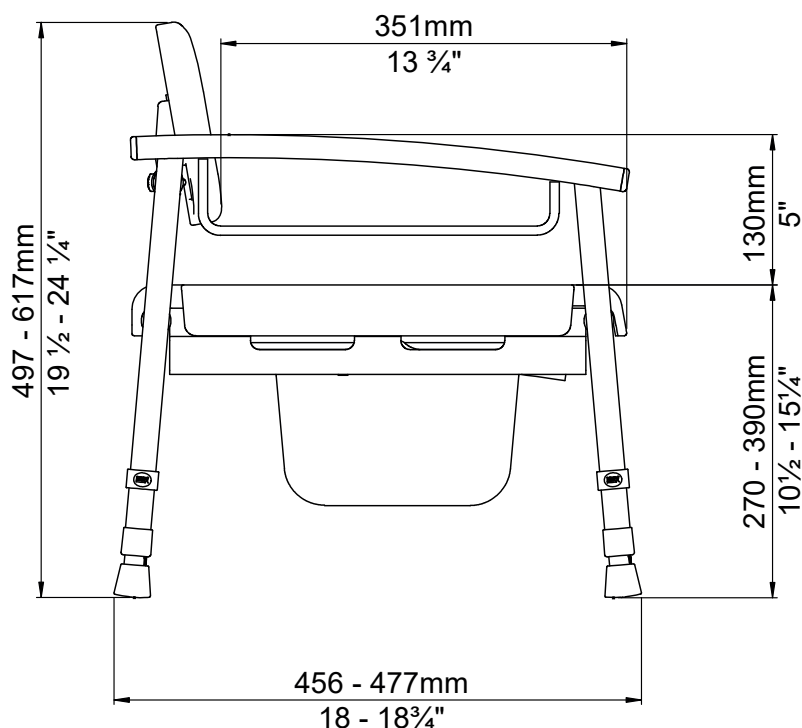


PRODUCT FEATURES

- Suitable for children aged between 7 and 12, with a maximum user weight of 100kg (15st).
- Height and width adjustable to accommodate your child's growth.
- Comfortable soft touch foam seat and backrest.
- Supplied flat-pack with no tools required for assembly.
- Slide out commode pan, makes emptying and cleaning easy.
- Optional adjustable lap strap available (N99091).
- Designed to complement the popular NUVO family of products.
- NRS Healthcare guarantee this product for a period of 12 months, from the date of purchase.

NUVO Children's Commode Specifications

Product Weight: 7.6kg



Also available from NRS Healthcare

P05218 NUVO Petite Children's Toilet Frame



P05229 NUVO Petite Children's Toilet Platform



N72255 Children's Shower Chair



For more information or to place an order, please contact your local Regional Sales Manager or the NRS Healthcare Customer Service Team: 0345 121 8111
Email: customerservice@nrshealthcare.co.uk
For international enquiries, please telephone: +44 (0)1530 232 292
or email: exportsales@nrshealthcare.co.uk
www.healthcarepro.co.uk or www.completECAshop.co.uk

