

M03792

Home Helper Trolley Brown

⚠ GENERAL SAFETY WARNING ⚠

Please make sure that you read and follow these instructions carefully. Failure to do so can result in injury. Keep these instructions in a safe place for future reference.

INTENDED USE

For indoor home use. The strong and versatile frame is height adjustable and has two trays to provide a safer means for users to move items around the home. The lower tray is set forward to allow users to walk naturally when pushing.

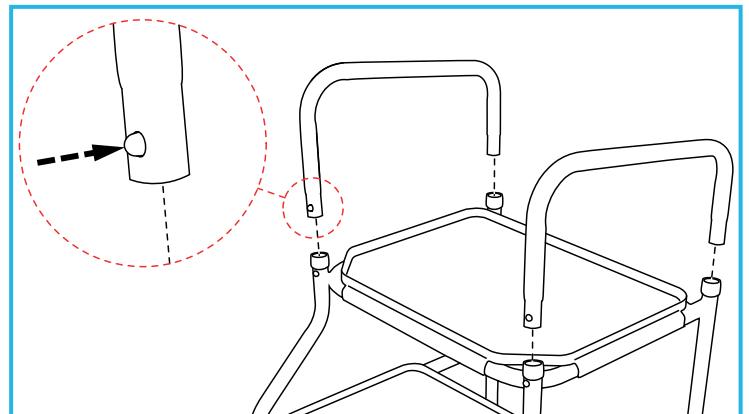


Contents:

1. Trolley Frame x 1
2. E-Clips x 4
3. Legs, Castors & E-Clips (pre-assembled) x 4
4. Handles x 2

ASSEMBLY

1. Attach the handles to the Trolley Frame:



Slot the handles into the top of the trolley frame.

Note: Make sure the raised end faces towards the front of the trolley.

SAFETY

Take care when moving across thresholds.

Do not:

- Use this trolley as a general walking aid and do not sit on it.
- Use the trolley to assist when attempting to stand from a seated position.
- Overload the trolley trays. Maximum tray capacity is 5 kg. Position items as centrally as possible.
- Use the trolley outdoors.

UNPACKING

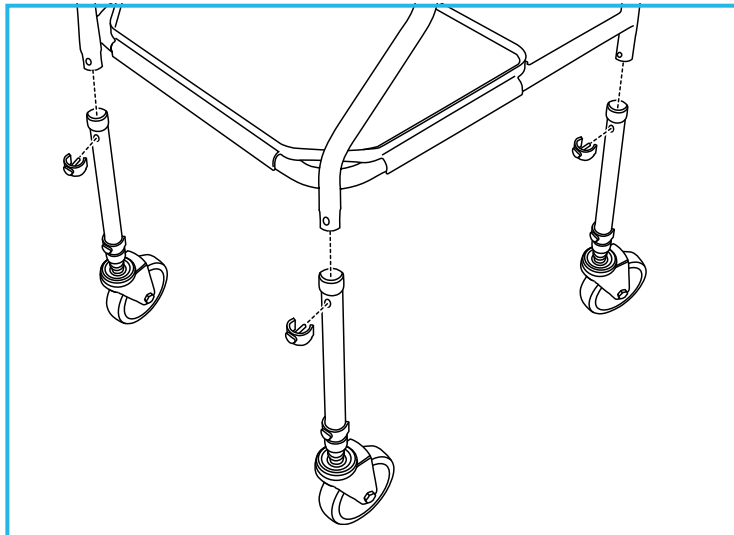
Remove the packaging and check all parts carefully. Contact your supplier immediately if parts are missing or damaged and do not try and assemble.

Push and hold the handle button-clips, then push the handles into the trolley frame until the button-clips click into position in the holes.

Note: Make sure that the button clips have fully engaged the holes.

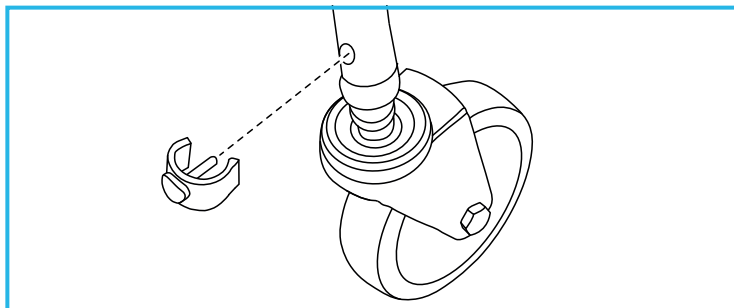
2. Attach the legs to the Trolley Frame:

The castors are supplied pre-assembled inside the trolley legs.



Slot the leg tube over the ends of the trolley frame. Align the holes and insert an E-clip. Repeat for all 4 legs.

3. Adjusting the Height:



Remove the E-clip securing the castor in position. Slide to the required height. Align the holes and re-insert the E-clip. Repeat for all 4 castors.

Note: Set all 4 castors to the same height to prevent instability.

CLEANING

Clean regularly using a general purpose, neutral detergent and warm water. If required the trays can be removed for cleaning, simply unclip from the frame.

Please check the suitability of the cleaning product before use. Do not use abrasive cleaners/cloths as this will damage the surface.

Allow product to dry thoroughly before use.

MAINTENANCE

Regularly check the condition of the castors and remove any build-up of dirt or debris.

Check that all the fixing clips are inserted correctly and that there is no excessive movement.

Periodically check the trolley for signs of wear. Any suspected faults or damage should immediately be reported to the supplier and the product taken out of use.

PRODUCT DISPOSAL

This product should be thoroughly cleaned prior to disposal.

This product is manufactured from metal and plastic and can be disposed of through Local Authority Household Waste and Recycling Centres or through Local Trade Waste Collectors.

PRODUCT GUARANTEE

NRS Healthcare guarantee this product for a period of 24 months, from the date of purchase, against faulty materials and workmanship.

This guarantee does not cover abuse, interference or tampering with any part of the products. Issues arising from fair wear & tear and customer misuse are not covered.

This guarantee covers domestic use only. If the product is used in commercial or semi-commercial settings such as care homes, schools, rental or communal accommodation etc, the guarantee is valid for one year only. Consumable parts are also guaranteed for one year only.

Any guarantee issued by NRS Healthcare does not affect your statutory rights.

NRS HEALTHCARE Sherwood House, Cartwright Way, Forest Business Park Bardon Hill, Coalville, Leicestershire, LE67 1UB, UK.

Tel: Customer Services: +44 (0)345 121 8111
Email: customerservice@nrshealthcare.co.uk

EC REP NRS HEALTHCARE 4C Altona Road, Blaris Industrial Estate, Lisburn, Co Antrim, Northern Ireland BT27 5QB

Email: exportsales@nrshealthcare.co.uk

NRS Healthcare is a leading supplier of community equipment and daily living aids. Please visit one of our websites to view our full range of products:
www.healthcarepro.co.uk or www.completecareshop.co.uk