

”Group tables for the moments we share”



ROPOX VISION GROUP TABLE

STYLISH TABLES WITH ALL THE TECHNICAL FEATURES YOU NEED

The Vision Group tables are highly suitable for meetings, dining, teaching or any other activity where many people are sitting together. They are elegant and simple in design and still, they cater for the needs of all people, regardless of their degree of mobility.

Adjustable in height and with plenty of legroom, since there are no cross bars underneath the table top. This allows wheelchair users to get easy and close access to the table. There is no fascia under the table and therefore it can be adjusted to the correct height for wheelchair users. Also, the arm supports can be used as an aid for obtaining a balanced sitting position and is also an extra forearm support. The tabletop has a matte surface, therefore no annoying glare.

If you need seating for more people than the standard Vision Group tables can accommodate, the tables can also be used in extension of one another.



ROPOX™

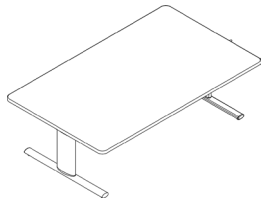
BETTER WAYS TO BETTER DAYS

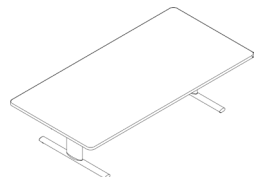
- A PART OF AddLife®

ROPOX VISION GROUP TABLE

Max. load capacity: 100 kg
Height: 60-90 cm
Depth: 100 cm
Width: 165 or 200 cm
Inner Width: 133 cm
Frame Colour: Silver Grey

TECHNICAL INFORMATION

VARIANT/MODEL	A
SIZE 165 X 100 CM	
Height 60-90 cm	Item no.: 20-62216-II

VARIANT/MODEL	A
SIZE 200 X 100 CM	
Height 60-90 cm	Item no.: 20-6220-II

COLOUR FOR TABLETOPS:



Standard

ACCESSORIES

Arm support
incl. bag and hook
Item no.: 20-60520



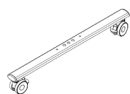
Arm support lock-able
incl. hook and bag
Item no.: 20-60517



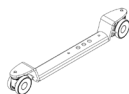
Rail for Arm support,
for table width 165/200 cm
Item no.: 20-60525/20-60526



Castors with brake, 8 cm height increase
Table depth 100 cm
Item no.: 20-60589



Castors with brake, without height increase,
Table depth 100 cm
Item no.: 20-60579



NB! Find more information about measurements, technical data, installation interfaces and much more under the product and in the instruction manuals on our website.