



Ropox Mobilio

User manual

This manual should always be in close proximity of the product.




Table of content

1. Symbols used in this manual	4
2. General safety	4
2.1 Product label.....	6
3. General requirements	7
3.1 Product information	7
3.2 Intended use.....	9
3.3 Intended operator	10
3.4 Known contraindications	10
3.5 Dimension sketch standard.....	10
3.6 Dimension sketch central locking wheels	10
4. Instructions for use	11
4.1 Installation of product.....	11
4.2 Operating the product	11
4.2.1 Actuation of the product.....	11
4.2.2 Activation and release of brake systems.....	12
4.2.3 Operation of the bed guards (accessories)	12
4.2.4 Ambient temperature	13
4.3 Installation of battery.....	13
4.3.1 Mounting the battery.....	13
4.3.2 Connecting the battery	13
4.3.3 Charging the battery	14
4.3.4 Battery feedback indicators	14
4.4 Electric block diagram.....	15
5. Cleaning	15
6. Maintenance	16
6.1 Periodic maintenance of bed guards	16
6.2 Periodic charging of battery	16
6.3 Replacement of battery.....	17
6.4 Fault finding	17
6.5 Calibration of lifting columns.....	17
7. Environmental protection	17
8. Spare parts	18
9. Accessories	19
9.1 Battery.....	20
9.2 Bed guard	20
9.3 Cushion for bed guard	21
9.4 Mattresses	21
9.5 Central locking wheels.....	21
10. Electromagnetic compatibility	22
10.1 Suitable Environments.....	22
10.2 Basic safety and Essential performance	22
10.3 Adjacent and stacked use.....	22


TF 200.02.0013_eng

10.4	Cables	22
10.5	RF portable equipment	22
10.6	Compliance for emission and immunity standard	23
10.6.1	Emission class and group	23
10.6.2	Immunity test levels	23
11.	Complaints	24

1. Symbols used in this manual

<p>Warning Symbol</p> <p>Indication of potentially hazardous situation. If not avoided, it can result in serious injury or death.</p>	
<p>Caution Symbol</p> <p>Indication of potentially hazardous situation which may result in minor or moderate injury. It may also be used to alert against unsafe practices.</p>	
<p>Notification Symbol</p> <p>This symbol is used to notify correct use and handling of the product.</p>	

2. General safety

	<p>This manual must be read and understood before use. Always keep this manual in close proximity of the product.</p> <p>The use, installation and service of this product must be in compliance with this manual to avoid accidents and serious personal injury.</p> <p>Never use or handle this product in other ways specified in this manual as it can result in personal safety hazards and/or cause damage to the product.</p> <p>Persons installing and/or are using this product either as operator or patient should have the necessary safety information and access to this manual.</p>
---	--



Always comply with instructions in this manual to avoid damaging or destroying the product. Not doing so can cause the safety of this product to be compromised.

Before putting the product into use, make sure the stability of the product is intact.

Do not perform repairs, disassembly or assembly operations, add-ons, re-adjustments or modification of the product beyond what is described in this manual. All spare parts must be Ropox designated parts.

Repairs must be carried out by Ropox or Ropox authorized personnel. Do not perform service while in use with a patient.

Do not allow children to operate this product unless they are under supervision from an adult that has read and understood this manual. The product is not intended to play with.

Do not use the product if it has defects or have become damaged before being repaired or replaced.



The information in this manual is based on correct installation in accordance with installation instructions for this product.

Ropox cannot be held liable if the product is used in any way that differs from stated in this manual and/or installation instruction.

Ropox reserve the right to amend this manual and reference documents without prior notice.

2.1 Product label

ROPOX WEB.: www.ropox.dk
 Ropox A/S,
 Ringstedgade 221, DK-4700 Naestved
 TLF: +45 5575 0500, E-mail: Info@ropox.dk

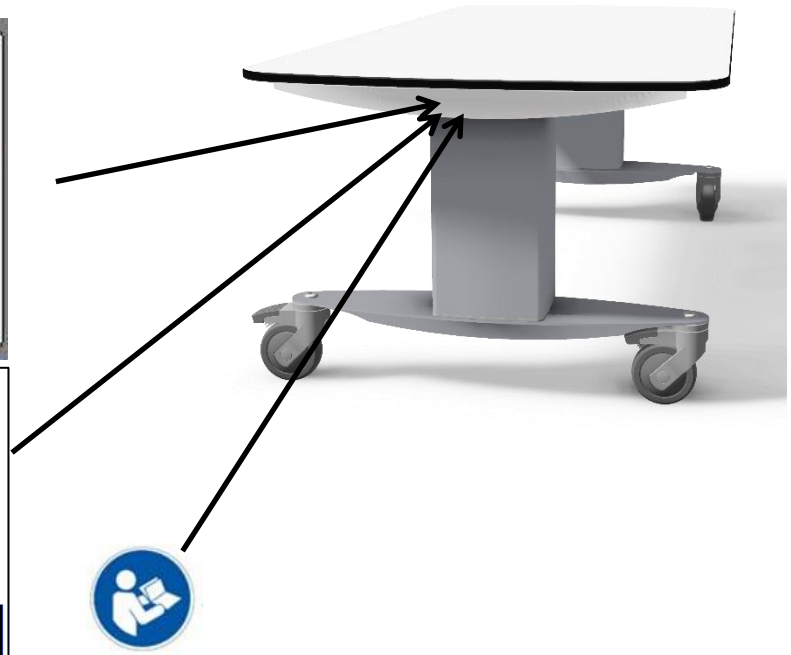
2 min
18 min
Duty cycle max. 10%

CE MD UK CA




Transport & storage

2022-08
 REF 40-30408-5 SN N43-XXXX
Changing bed
 IP X6
 U In: 100-240V ~ 50/60 H U In: Max. 2,0 A
 Ropox Mobilio Changing bed 160x70 cm
 Electrical height adjustment 40cm, 52-92 cm
 Max load: 200 kg Mass of product: 73 kg

05707581000614N43-XXXX



	<p>This product is UKCA-marked in accordance with:</p> <p>UK SI 2002 No. 618 - <i>The Medical Devices Regulations 2002</i>, and its amendments</p> <p>UK SI 2008 No. 1597 - <i>The Supply of Machinery (Safety) Regulations 2008</i>, and its amendments</p>
	<p>This product is CE-marked in accordance with:</p> <p>European Medical Device Regulation (EU)2017/745</p> <p>Considering the Council Directive 2006/42/EC on machinery</p> <p>Council Directive 2011/65/EU, RoHS</p> <p>The product also conforms to:</p> <p>European Medical Device Directive 93/42/EEC, including amendments incorporated in Directive 2007/47/EEC.</p>
	<p>Manufacturer name and address</p>
	<p>Date of production</p>
	<p>Stock number</p>
	<p>Serial number</p>
	<p>Operating interval of electrically operated equipment. The use of electrical height adjustable equipment can run at maximum 2 minutes, followed by an 18-minute break.</p>
	<p>Type BF applied part. The product complies with IEC 60601-1 requirements to provide protection against electric shock.</p>
	<p>Consult manual for important safety related information, warnings and safety precautions.</p>
	<p>Class II, double isolated electrical components.</p>

	Do not dispose as unsorted municipal waste. Product must be returned to a designated recycling station.
	Storing temperatures may not exceed -5 °C to 40 °C
	Consult the instruction for use

3. General requirements

3.1 Product information

Manufacturer	Ropox A/S Ringstedgade 221, DK-4700 Naestved +45 55 75 05 00 Email: Info@ropox.com		
Product models	Part number	Model	Configuration
	40-30404-5 40-30406-5 40-30408-5 40-30410-5 40-30411-5 40-30204-5 40-30206-5 40-30208-5 40-30210-5 40-30211-5	Mobilio 120x70 cm Mobilio 140x70 cm Mobilio 160x70 cm Mobilio 180x70 cm Mobilio 190x70 cm Mobilio 120x70 cm Mobilio 140x70 cm Mobilio 160x70 cm Mobilio 180x70 cm Mobilio 190x70 cm	With standard locking wheels With standard locking wheels, 2 bed guards and mattress
MDR Class (EU) 2017/745	Class I		
Applied part classification 60601-1	Type BF applied part		
Protection Class Acc. to 60601-1	Class II		
Expected service life	5 years		
Height adjustment	52-92 cm		
Speed of actuation	≈ 18 mm/s		
Maximum user weight according to ISO 17966:2016	200 kg		
Power supply	100-240 V ~50/60Hz		
I in	Max 2.0 A		
Intermittence	2 min on / 18 min off		
IP rating	IPX6		
Ambient temperature range	-5 °C to +40 °C Transport and storage (battery included) -10 °C to +50 °C Transport and storage (without battery) +5 °C to +40 °C Operation		
Relative humidity:	20% to 80% - non-condensing		
Atmospheric pressure	700 hPa to 1060 hPa		
Materials in contact with patient	Tabletop surface	Compact laminate surface.	
	Mattress (accessories)	Dahlia fabric Backing: 100% polyester Coating: 100% Polyurethane ISO 10993-10 Non Allergic	

	Bed guards (accessories)	St37 tube construction with powder coating.
Intended environments	This product is to be used in: Professional healthcare Facility Homecare healthcare Environment <i>As defined by IEC 60601-1-2</i> <i>The product is not intended for use during HF surgery.</i>	

Accessories	BA19 Lead acid battery 40-30762	<p>Specification</p> <ul style="list-style-type: none"> • Lead acid technology: Lead acid • Expected lifetime: 4 years • Output voltage: 24 V DC • Max. discharge current: 6 A • Charging current: 300 mA, controlled by BA19 internal charger • Capacity: 1.2 Ah / 28.8 Wh • Weight: 1.6 kg <p>Usage</p> <ul style="list-style-type: none"> • Compatibility: Battery backup for CA30/CA40 and CO61 • Duty cycle: 10%, 2 minutes continuous use followed by 18 minutes not in use • Charging: Via integrated charger • Charging time: Approx. 6 hours • Recharging during storage: Battery recharging no later than 6 months after production date stated on the label • Operating temperature: +5 °C to +40 °C • Storage temperature: -5 °C to +40 °C <p>The batteries must be stored in an applicable storage room to avoid direct sunlight</p> <ul style="list-style-type: none"> • Relative humidity: 20% to 80%, but non-condensing acc. to temp. • Atmospheric pressure: 700 to 1060 hPa • Service: Battery cells cannot be replaced as the battery cover cannot be closed properly afterwards
	Mattresses	
	40-25760-1	Mattress 120x70x3 cm w/underlay
	40-25795-1	Mattress 140x70x3 cm w/underlay
	40-25796-1	Mattress 160x70x3 cm w/underlay
40-25764-1	Mattress 180x70x3 cm w/underlay	
40-25765-1	Mattress 190x70x3 cm w/underlay	
Bed guards		
40-30196-1	For length 120 cm, 140 cm	
40-30197-1	For length 160 cm, 180 cm, 190 cm	
Cushion for bed guard		
40-25782-1	For length 120 cm, 140 cm	
40-25783-1	For length 160 cm, 180 cm, 190 cm	
Central locking wheels		
40-30765-1	For length 120 cm, 140 cm	
40-30764-1	For length 160 cm, 180 cm, 190 cm	

3.2 Intended use

The mobile height adjustable changing bed can be used to nurse children and adults up to 200 kg. The stationary changing bed is intended for use in private homes, day-care centers, day centers for persons with physical or mental disabilities, or similar institutions, to provide the right and optimal working conditions for the staff. The mobile changing bed can be used in both dry and wet rooms however it may not be used as a shower bed. The changing bed is freestanding, mobile and with brake wheels to ensure optimum working conditions.

The height of the tabletop can be adjusted step less from 52-92 cm using a spiral cord handset.

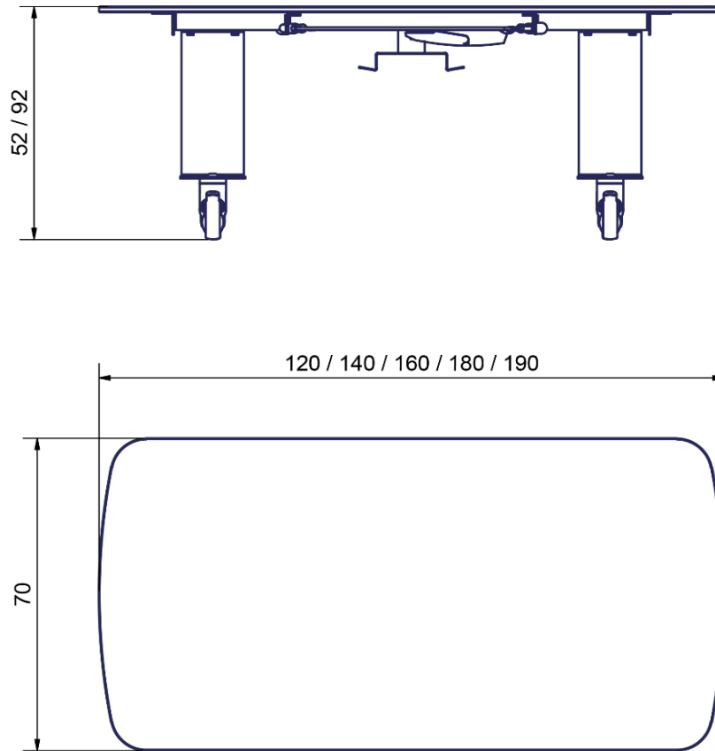
3.3 Intended operator

Reading and understanding this manual will be sufficient training for an intended operator. Children under the age of 16 or patient are not considered intended operator.

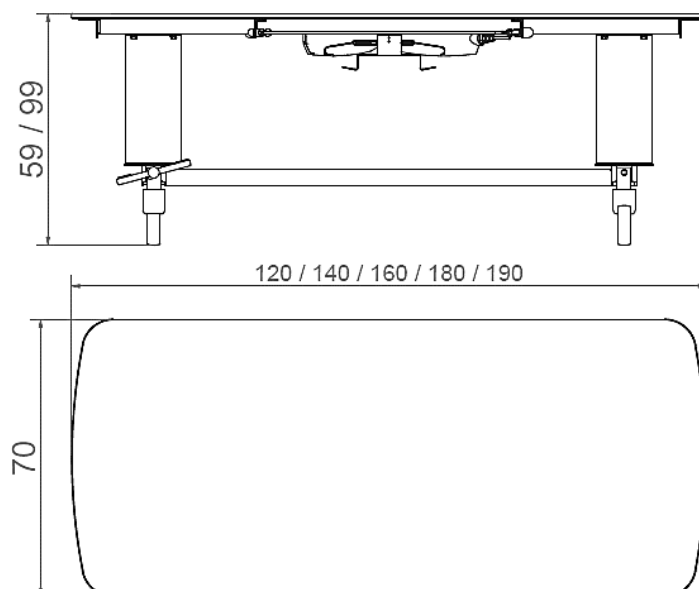
3.4 Known contraindications

There is no known contraindication for this product

3.5 Dimension sketch standard




3.6 Dimension sketch central locking wheels




4. Instructions for use

4.1 Installation of product

Mobilio is a mobile changing bed. It is delivered ready for use. Connecting the product to mains will make it operational. No other installation is needed.

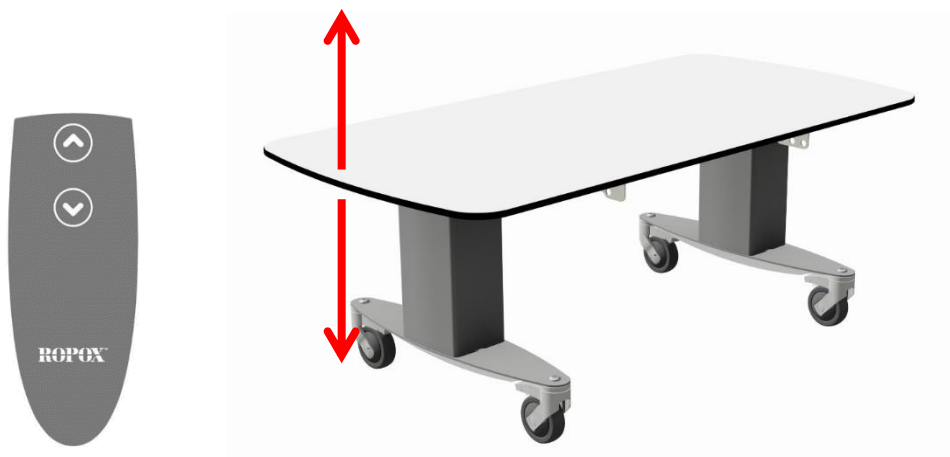
	<p>Warning!</p> <p>Before use always make sure that mains cable and hand control cable will be able to travel freely without the risk of squeezing or disconnecting the product as result of the movement.</p>
---	---


	<p>Caution!</p> <p>When connected to the mains the product must be placed in a manner according to power outlets so that the operator will be able to disconnect the product during use in case of an emergency.</p>
---	---

4.2 Operating the product

4.2.1 Actuation of the product


The product is operated with the spiral cord hand control. Arrow up will move the product upwards, and arrow down will move the product downwards.

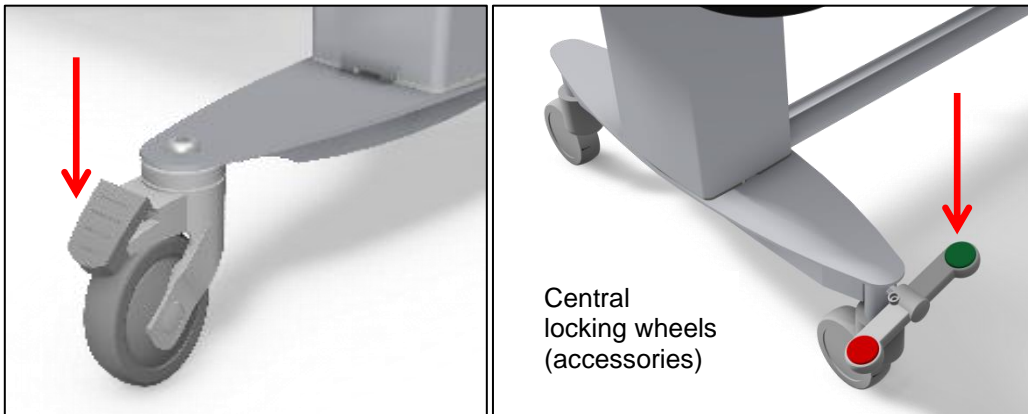


	<p>Warning!</p> <p>The product should always be able to travel the full range of actuation without colliding with objects. Failing to do so will compromise the product stability and introduce risk of squeezing body parts. Special care should be taken in ensuring that no children or adults are sited under the product as severe injury from entrapment may occur.</p>
---	--

4.2.2 Activation and release of brake systems

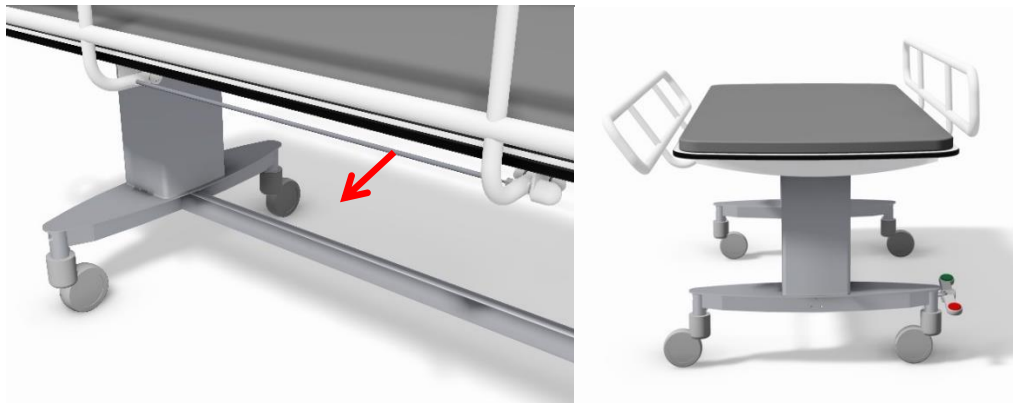
To activate the brake wheels, use appropriated foot pad.


	<p>Caution!</p> <p>The central brake system or standard locking brakes must always be locked and secure before a patient is placed on the product.</p> <p>Check function before use!</p> <p>The product is not intended as a mean for patient transportation and the use of it must only be stationary.</p>
---	--




4.2.3 Operation of the bed guards (accessories)

To operate the bed guards, pull the rubber tubing placed under the tabletop to release the locking mechanism. The bed guard can then be pivoted to the desired mode.



	<p>Warning!</p> <p>Make sure that the bed guard is locked securely in place when in use with a patient. Locking is checked by shaking the bed guard back and forth ensuring that the locking pin is fully engaged.</p>
---	---

	<p>Warning!</p> <p>The bed guard presents a tripping hazard when exiting the product. Keep your eyes on the bed guard when exiting.</p>
---	--

4.2.4 Ambient temperature


Allow the product to reach operational temperature +5 °C to 40 °C when stored in temperatures outside this interval.

Storage temperature	Time to reach operational temperature (+5 °C or +40 °C) at 20 °C ambient temperature
-5 °C	3 Hours
+40 °C Battery	0 hours
+50 °C Without battery	3 Hours

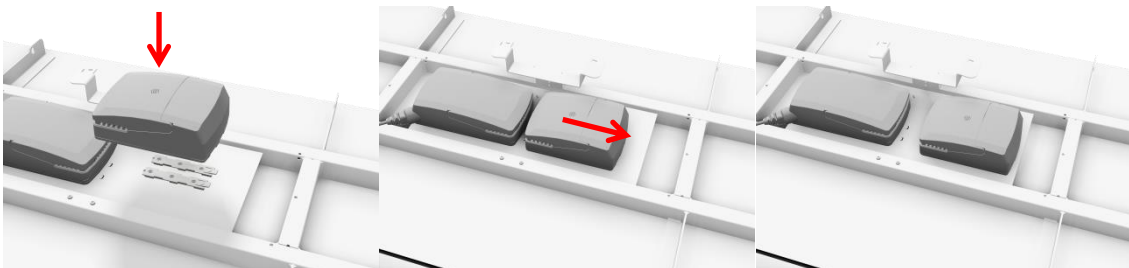
4.3 Installation of battery

Mobilio is not supplied with a backup battery. This can be ordered as an accessory. To order a battery use the following part number: **40-30762**



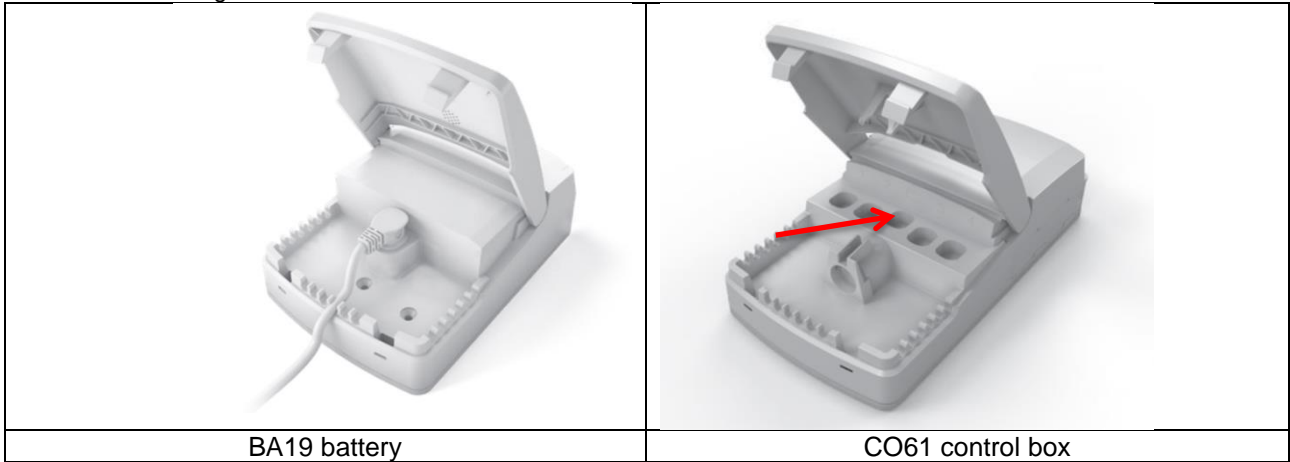
	<p>Notification!</p> <p>The installation of the battery must be in compliance with the following installation guide</p>
--	--

4.3.1 Mounting the battery



4.3.2 Connecting the battery

- Stop actuation of lifting columns
- Switch off the control box by disconnecting the mains plug
- Connect the battery to the port in the control box



BA19 battery


CO61 control box

4.3.3 Charging the battery

The battery will automatically charge through an integrated charger when the product is connected to the mains. A full charging takes approx. 6 hours and is indicated through the LED on the battery.




LED	Indication of operation
Solid yellow	Charging (battery not ready)
No LED light	Fully charged (battery ready)
Flashing yellow	Error during charging

	<p>Notification!</p> <p>Before using the battery, the first time make sure to charge it for 24hours. This will prolong the life of the battery.</p>
---	--

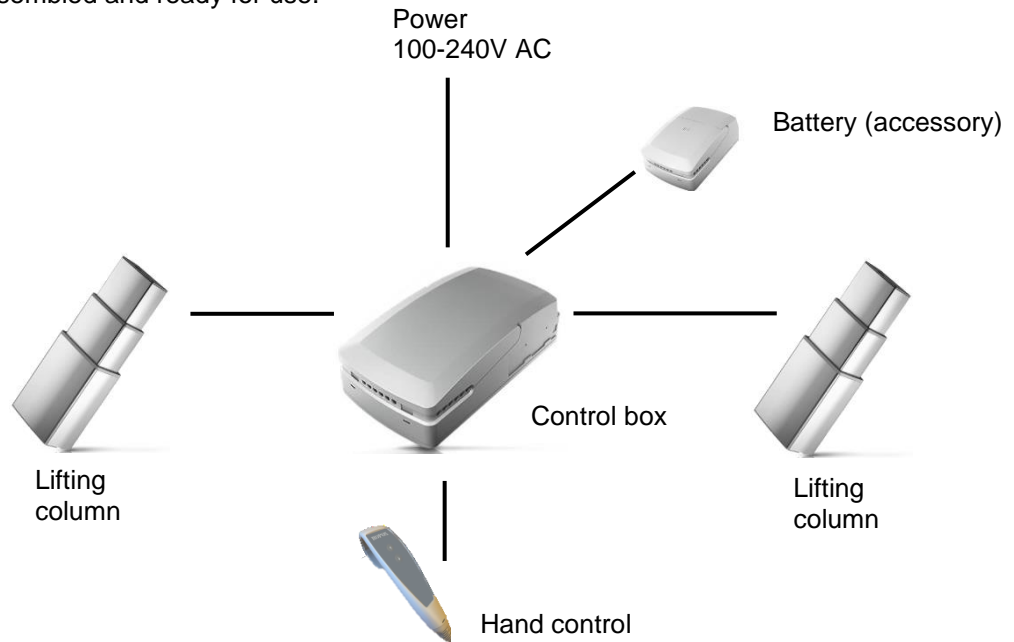
4.3.4 Battery feedback indicators

The battery has a built-in buzzer that automatically gives feedback to the user when the capacity is low. This will sound when the product is operated with the handcontrol for adjusting the height.

	<p>Caution!</p> <p>Check battery capacity before use if the battery is the only power source. Make sure that the product is within distance of a power outlet to ensure continuous function of the product when used with a patient in case the battery become exhausted.</p>
---	--

4.4 Electric block diagram

Product is delivered assembled and ready for use.



5. Cleaning

Cleaning can be done with lukewarm water and a suitable all-purpose cleaning agent. Use a cloth or soft sponge to wash the product. Dry the product with a wrung cloth.


Mattresses and cushions

Cover:

Recommended cleaning detergent: Normal soap or alcohol. The alcohol can be used undiluted. The cover can be removed, and machine washed separately at max 95 °C.

Foam:

Cannot be washed

	<p>Notification! Do not use cleaning agents containing abrasive e.g. scouring powder, steel wool, scouring sponge.</p> <p>This product is not designed to be sterilized, autoclaving and sterilization beyond normal cleaning may possibly change the product safety and function.</p>
---	---

Chemical resistance and disinfection


Detergents containing the following chemicals must not be used for cleaning or disinfection:


Acetone
Ammonium carbonate
Ethyl acetate
Formic acid
Hydrochloric acid
Isopropanol
Methyl acetate
Nitric acid
Phosphoric acid

Pre-approved cleaning agents


Tradename	Solution
Acticlor plus	1000ppm
S90 sanirens	1-3% peracid
FUTUR, Alkalisk rens	1% Solution [pH 9,5]


Disinfection

	<p>Caution!</p> <p>Disinfect the product between uses to avoid cross contamination</p>
---	---

	<p>Caution!</p> <p>Do not disinfect the product when connected to mains and/or are in use with a patient</p>
---	---

6. Maintenance

	<p>Notification!</p> <p>Failing to comply with periodic maintenance may result of degrading of product function and safety.</p>
---	--

	<p>Notification!</p> <p>Ropox will make parts list and circuit diagrams available for maintenance and repair beyond what is described in this manual. Repair beyond what is described in this manual may only be done by Ropox designated service personnel.</p>
---	---


6.1 Periodic maintenance of bed guards

If the product is used in a humid or dry atmosphere the locking pin may be prone to failure from lubricants drying. Besides checking the function of the locking mechanism before every use, a periodic lubrication of the locking pin every 6 month is recommended.

6.2 Periodic charging of battery

The battery must be periodically charged minimum every 6 months to sustain capacity. If the product is left unused or the battery is disconnected this may result degrading of the battery capacity. Charging the battery minimum every 6 months will mitigate this.

6.3 Replacement of battery

	<p>Notification!</p> <p>The battery is to be replaced after 4 years at the latest.</p>
---	---

6.4 Fault finding

Problem	Check the following
Mobilio does not move up or down when the hand-control switch is pressed	<ol style="list-style-type: none"> 1. The product is connected to 230V and the control box LED indicator lights green 2. Motor cables are connected to control box 3. The control switch has been connected with the control unit 4. If the product is used with battery, check whether it is charged. 5. The motors are overloaded (note: 2 min. ON, 18 min OFF).
Control switch defective	<ol style="list-style-type: none"> 1. Order a new control switch
Mobilio is not horizontal / level	<p>"Reset"</p> <p>Press and hold UP (▲) and DOWN (▼) buttons. Keep the buttons depressed until the control unit has beeped approx. ten times. After that, the bathtub may be adjusted to the bottom position for resetting.</p> <ol style="list-style-type: none"> 1.

6.5 Calibration of lifting columns

Lifting columns are aligned and calibrated from the factory. In case they need calibration to run simultaneously use the **"Reset"** procedure.

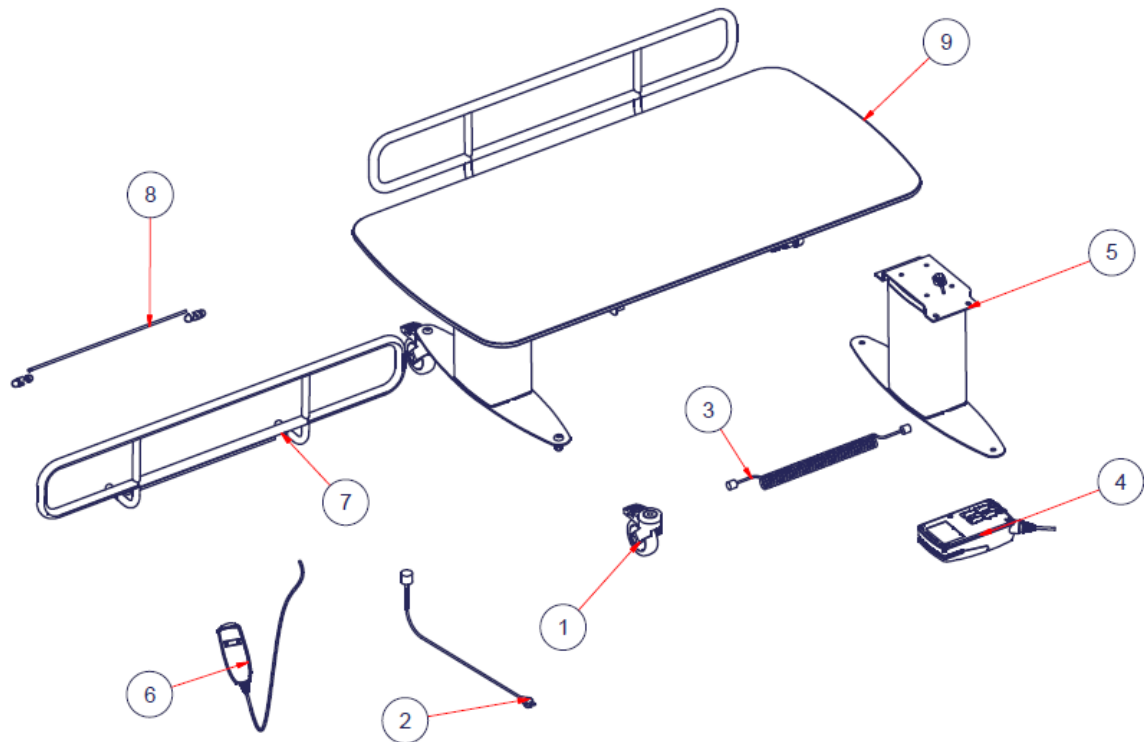
7. Environmental protection

The product is not intended to be disposed as municipal waste. Proper disassembly, sorting and disposal of components must be done by waste disposal professionals.



Part	Disposal recommendation
Tabletop	Hard plastic or phenolic composites
Bed guards	Steel waste
Frame and wheel assembly	Steel waste
Control box	Electronics
Lifting columns	Aluminum or electronic waste
BA19 battery	Lead acid battery waste

8. Spare parts



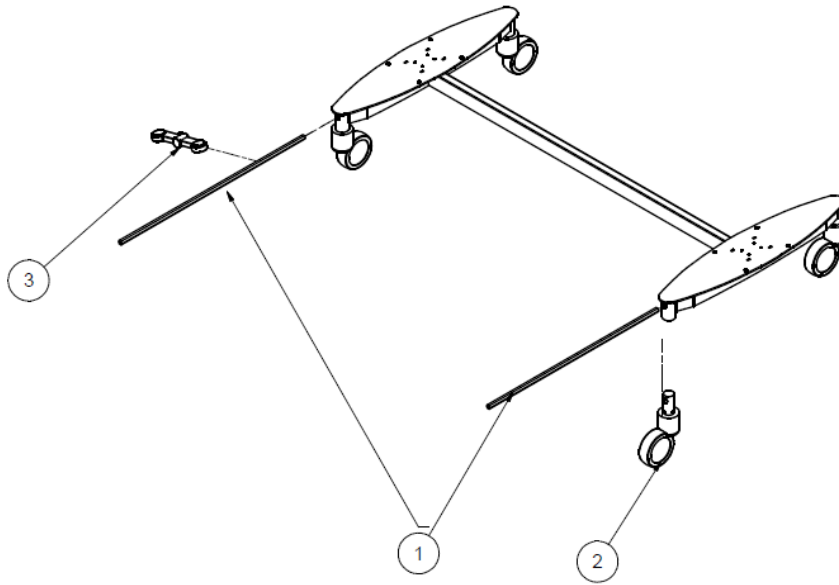
#	Name	Part number
1	Brake wheels	40-30200-1
2	Power cable	97000427
3	Motor cable	97001724
4	Control box CO61	97001720
5	Lifting column incl bracket	40-30201-1
6	Hand control	97001655

#	Name	40-30404-5	40-30406-5	40-30408-5	40-30410-5	40-30411-5
7	Bed guard complete *	40-30196-1	40-30196-1	40-30197-1	40-30197-1	40-30197-1
8	Parts for bed guard	40-30198-1	40-30198-1	40-30199-1	40-30199-1	40-30199-1
9	Tabletop Mobilio	40-30191-1	40-30192-1	40-30193-1	40-30194-1	40-30195-1

*Bed guard complete contains necessary spare parts for assembly

*Bed guard is an accessory

Central locking wheels (accessory)



#	Name	Part number
1	Axles for central locking wheels	40-30190-1
2	Wheels with. central brake Ø100	97003067
3	Lock pedal, red and green button	97003068

9. Accessories

A number of configuration options are available. Such options are generally ordered and delivered installed on the product at first delivery.



Warning!

Only qualified personnel may perform aftermarket installation of spare parts and accessories.



Caution!

Do not use accessories or spare parts other than those specified for the product.

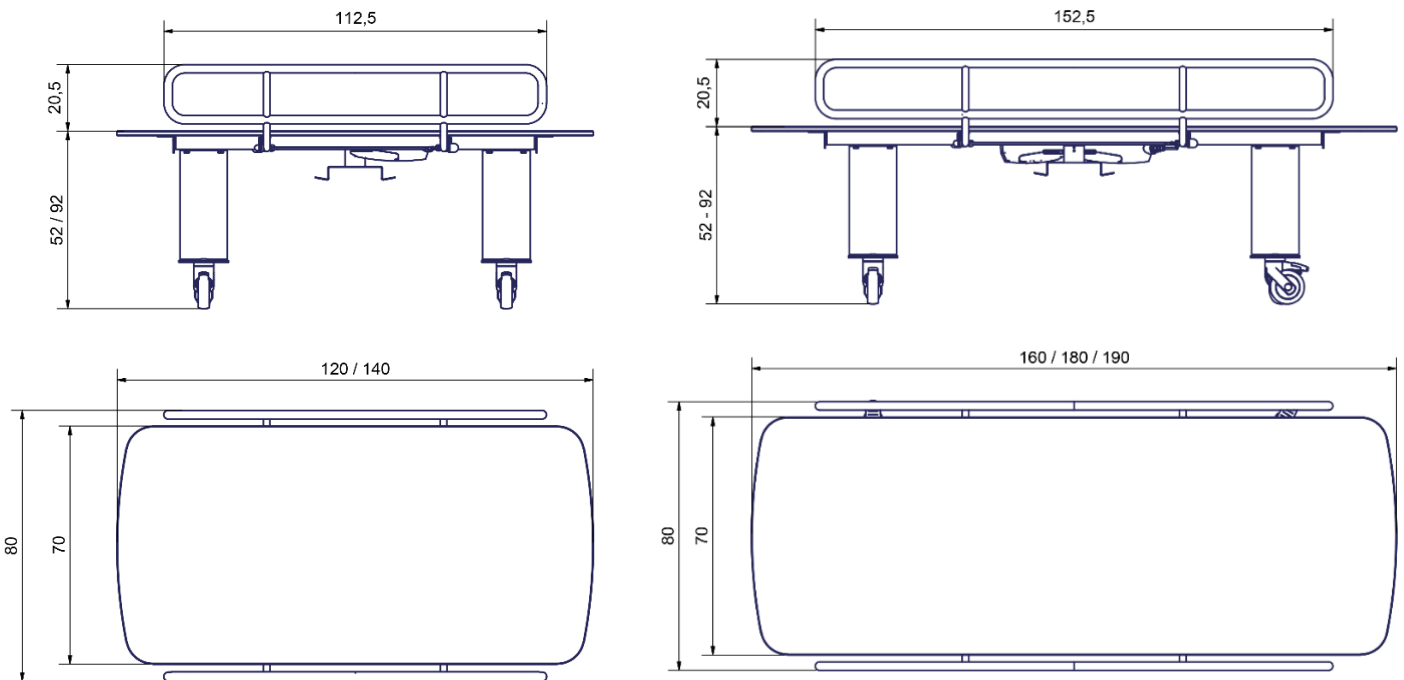
9.1 Battery

Mobilio can be powered by a backup battery which can be ordered separately. Always follow the instructions for proper use and installation, see 4.3.

Item number: **40-30762**

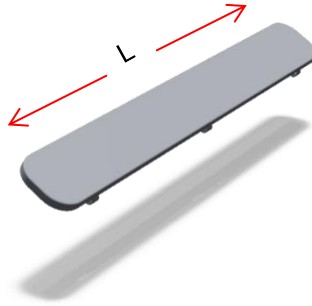


9.2 Bed guard



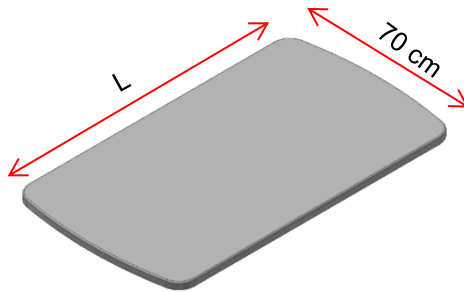
Part number	Size	QTY
40-30196-1	L= 120 cm, 140 cm	1
40-30197-1	L= 160 cm, 180 cm, 190 cm	1

9.3 Cushion for bed guard



Part number	Size	QTY
40-25782-1	L= 120 cm, 140 cm	1
40-25783-1	L= 160 cm, 180 cm, 190 cm	1

9.4 Mattresses



Part number	Size	Thickness
40-25760-1	Mattress L=120 cm w/underlay	3 cm
40-25795-1	Mattress L=140 cm w/underlay	3 cm
40-25796-1	Mattress L=160 cm w/underlay	3 cm
40-25764-1	Mattress L=180 cm w/underlay	3 cm
40-25765-1	Mattress L=190 cm w/underlay	3 cm

9.5 Central locking wheels



Part number	Size	QTY
40-30765-2	L= 120 cm, 140 cm	1
40-30764-2	L= 160 cm, 180 cm, 190 cm	1

10. Electromagnetic compatibility


10.1 Suitable Environments

The device is suitable for use at home, at daycare centers, at day centers for persons with physical or mental disabilities or at hospitals except near active HF surgical equipment and the RF shielded room of a medical electrical system for magnetic resonance imaging, where the intensity of electromagnetic disturbances is high.

10.2 Basic safety and Essential performance


The device does not have any function related to basic safety or essential performance. In case of loss or degradation of performance, the user can get on and off the product.

10.3 Adjacent and stacked use


	<p>Warning !</p> <p>Use of this equipment adjacent to or stacked with other equipment should be avoided because it could result in improper operation. If such use is necessary, this equipment and the other equipment should be observed to verify that they are operating normally</p>
---	--

10.4 Cables

Cable component	Length
Power cable	3,2 m
Hand control spiral cable	Approx. 5 m extended.

	<p>Warning!</p> <p>Use of accessories, transducers and cables other than those specified or provided by the manufacturer of this could result in increased electromagnetic emissions or decreased electromagnetic immunity of this equipment and result in improper operation.</p>
---	---

10.5 RF portable equipment

	<p>Warning !</p> <p>Portable RF communications equipment (including peripherals such as antenna cables and external antennas) should be used no closer than 30 cm (12 inches) to any part of the device, including cables specified by the manufacturer. Otherwise, degradation of the performance of this equipment could result.</p>
---	---

10.6 Compliance for emission and immunity standard

The product is tested and found compliant for EMC according to EN60601-1-2:2015 for Clause 7 and Clause 8. Documentation is tested and found compliant according to EN60601-1-2:2015 for Clause 5

10.6.1 Emission class and group

Phenomenon	Test method	Class	Group
Conducted RF emissions	EN 55011	Class B	Group 1
Radiated RF emissions	EN 55011	Class B	Group 1
Harmonic current emissions	EN 61000-3-2	Class A	-
Voltage changes, voltage fluctuations and flicker emissions	EN 61000-3-3	-	-

10.6.2 Immunity test levels

Phenomenon	Test method	Immunity test level
Electrostatic discharge immunity	EN 61000-4-2	+/- 8 kV contact +/- 2, 4, 8, 15 kV air
Electrostatic discharge immunity – I/O SIO/SOP ports	EN 61000-4-2	+/- 8 kV contact, +/- 2, 4, 8, 15 kV air Connectors shall be tested. Do not test pins, as they can not be contacted or touched, under conditions of intended use.
Radiated RF electromagnetic field immunity	EN 61000-4-3	10 V/m 80 MHz to 800 MHz 20 V/m 800 MHz to 2.5 GHz 10 V/m 2.5 GHz to 2.7 GHz 80 % AM 1 kHz
Immunity to proximity fields from RF wireless communication equipment	EN 61000-4-3	385 MHz, 27 V/m, 18 Hz PM (50 % duty cycle square wave) 450 MHz, 28 V/m, FM +/- 5 kHz dev., 1 kHz sine 710 MHz, 9 V/m, 217 Hz PM (50 % duty cycle square wave) 745 MHz, 9 V/m, 217 Hz PM (50 % duty cycle square wave) 780 MHz, 9 V/m, 217 Hz PM (50 % duty cycle square wave) 810 MHz, 28 V/m, 18 Hz PM (50 % duty cycle square wave) 870 MHz, 28 V/m, 18 Hz PM (50 % duty cycle square wave) 930 MHz, 28 V/m, 18 Hz PM (50 % duty cycle square wave) 1720 MHz, 28/ V/m, 217 Hz PM (50 % duty cycle square wave) 1845 MHz, 28 V/m, 217 Hz PM (50 % duty cycle square wave) 1970 MHz, 28 V/m, 217 Hz PM (50 % duty cycle square wave) 2450 MHz, 28 V/m, 217 Hz PM (50 % duty cycle square wave) 5240 MHz, 9 V/m, 217 Hz PM (50 % duty cycle square wave) 5500 MHz, 9 V/m, 217 Hz PM (50 % duty cycle square wave) 5785 MHz, 9 V/m, 217 Hz PM (50 % duty cycle square wave)
Electrical fast transient/burst immunity – AC power ports	EN 61000-4-4	+/- 2 kV 100 kHz repetition frequency
Electrical fast transient/burst immunity – I/O SIO/SOP ports	EN 61000-4-4	+/- 1 kV 100 kHz repetition frequency
Surge immunity – AC power ports	EN 61000-4-5	Line-to-line: +/- 0.5, 1 kV line to line Line-to-ground: Not applicable, the device is a Class II device

Phenomenon	Test method	Immunity test level
Immunity to conducted disturbances induced by RF fields – AC power ports	EN 61000-4-6	3 V (6 V in ISM bands and amateur radio bands ^a) 0.15-80 MHz 80 % AM 1 kHz
Immunity to conducted disturbances induced by RF fields – I/O SIO/SOP ports	EN 61000-4-6	3 V (6 V in ISM bands and amateur radio bands ^a) 0.15-80 MHz 80 % AM 1 kHz
Power frequency magnetic field immunity	EN 61000-4-8	30 A/m 50 Hz and 60 Hz Test as tabletop equipment, for at least 1 minute in each direction
Voltage dips, short interruptions and voltage variations immunity	EN 61000-4-11	0 % U _T ; 0.5 cycle at 0°, 45°, 90°, 135°, 180°, 225°, 270° and 315° 0 % U _T ; 1 cycle at 0° 70 % U _T ; 10 cycles at 0° 0 % U _T ; 250 cycles at 0°
<p>a) The ISM (industrial, scientific and medical) bands between 0.15 MHz and 80 MHz are 6.765 MHz to 6.795 MHz; 13.553 MHz to 13.567 MHz; 26.957 MHz to 27.283 MHz; and 40.66 MHz to 40.70 MHz. The amateur radio bands between 0.15 MHz and 80 MHz are 1.8 MHz to 2.0 MHz. 3.5 MHz to 4.0 MHz. 5.3 MHz to 5.4 MHz. 7 MHz to 7.3 MHz. 10.1 MHz to 10.15 MHz. 14 MHz to 14.2 MHz. 18.07 MHz to 18.17 MHz. 21.0 MHz to 21.4 MHz. 24.89 MHz to 24.99 MHz. 28.0 MHz to 29.7 MHz and 50.0 MHz to 54.0 MHz.</p>		

11. Complaints

See our general terms of sale and delivery on www.ropox.com



ROPOX A/S

Ringstedgade 221
DK – 4700 Næstved

Tel.: +45 55 75 05 00 Fax.: +45 55 75 05 50

E-mail: info@ropox.dk

www.ropox.com