

Product Technical Data Sheet 078 P23499 Swedish Bath Rail

Product Description & Intended Purpose

The Swedish Bath Rail is designed to help steady the user while transferring into or out of the bath. It can be fitted to most standard baths.

Product Features

- Ergonomic handle is comfortable to grip and angles over the bath to help repositioning.
- Rubber lined clamps to prevent marking to bath.
- Handle height adjustable to suit a variety of users.
- Clamps height and depth adjustable to suit a variety of baths.

Installation Information: *(Note: for detailed information refer to User Instructions)*

- Product is supplied fully assembled as a single unit.
- Installation time is approximately 30 minutes.
- It is essential for the safe use of the bath rail for it to be permanently fixed to the floor. Due to the variety in possible floor types, tools and fixings are not supplied. Consult a specialist if you need advice on suitable fixings.



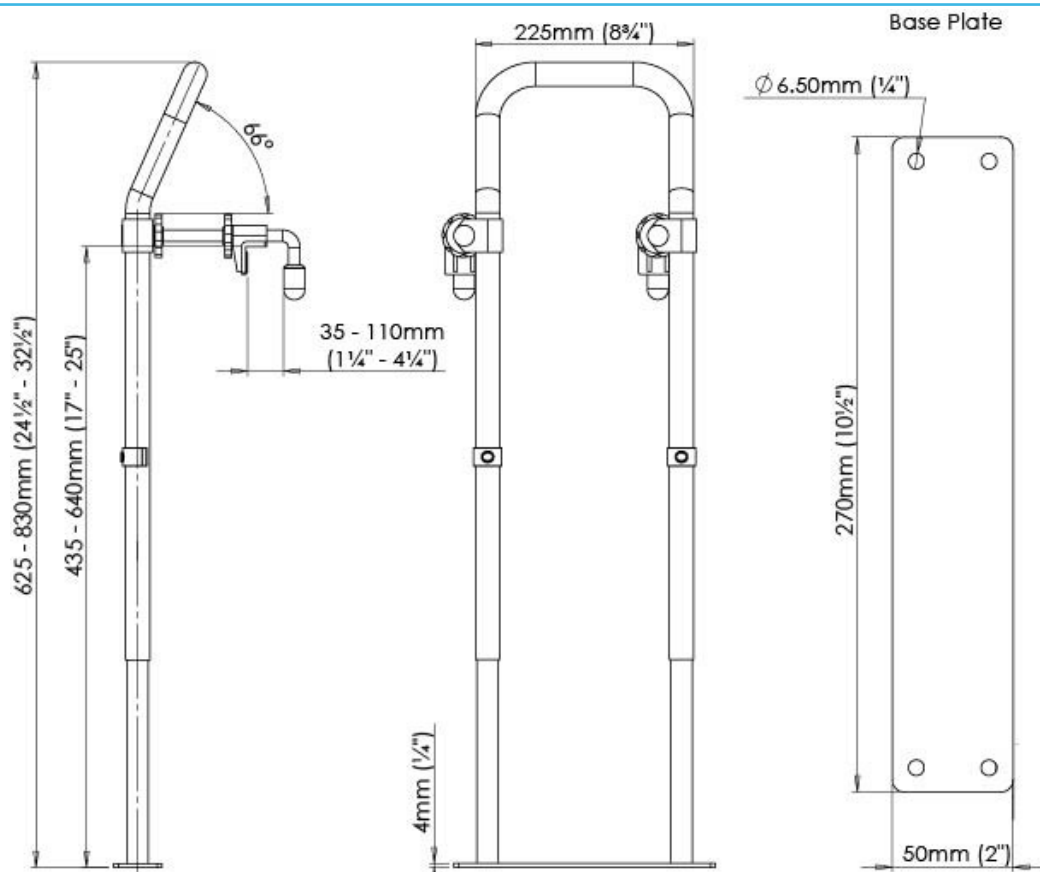
Technical Specification

Maximum User Weight:

23st (150kg)

Product Weight:

approx. 3kg (6.6lb)



PTDS078 P23499 Swedish Bath Rail

Safety Precautions

- Check the suitability of the bath rail prior to use. It may not fit securely to certain types of unusually shaped baths, including roll tops.
- Do not exceed the maximum user weight 23st, 150kg.
- Always check clamps and hand wheels are tight and that floor fixings are secure prior to use.
- Not suitable for use by children.

Cleaning

- Clean regularly using a general purpose, neutral detergent and warm water.
- Please check the suitability of the cleaning products before use. Do not use abrasive cleaners or cloths as these could permanently damage the surface and invalidate any warranty.
- To disinfect, wipe with a dilute bleach solution and rinse thoroughly with fresh water.
- Always allow the bath rail to dry thoroughly prior to use.

Care & Maintenance

- Check the clamps are correctly fitted and all hand wheels are tight.
- Check the floor fixing is secure and that the bath rail has no excessive movement.
- Periodically check the bath rail for signs of wear. Any suspected faults or damage should immediately be reported to the supplier and the product taken out of use.

FAQ's

- Does the rail come with the fittings to fix it to the floor?
No, floor fixings are not supplied, choose a fixing method which is suitable for the floor type. Seek professional advice if you are unsure.
- Are the dimensions to the hole centres on the base plate given?
No, we recommend using the base plate as a template, directly over the chosen floor location to ensure accurate positioning of the holes and fixings.

Accessories

None

Product Supplied By:

NRS Healthcare Sherwood House, Cartwright Way, Forest Business Park, Bardon Hill, Coalville, Leicestershire. LE67 1UB UK