

TIMBERRY SCANDI

COMMODE CHAIR

Part No: 55211 TO 55220; 55311 TO 55320; 55411 TO 55420

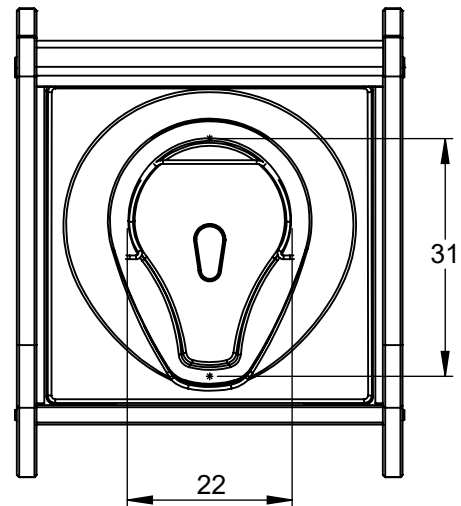
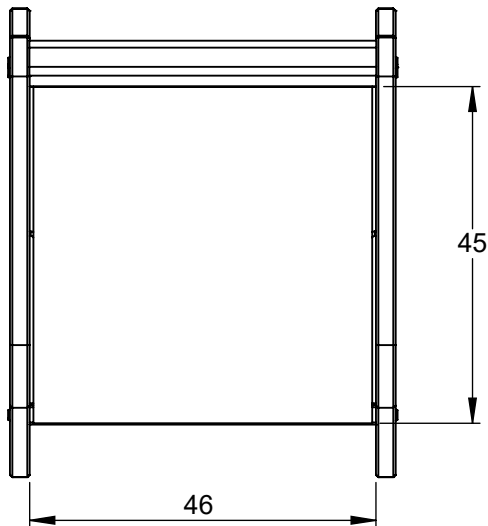
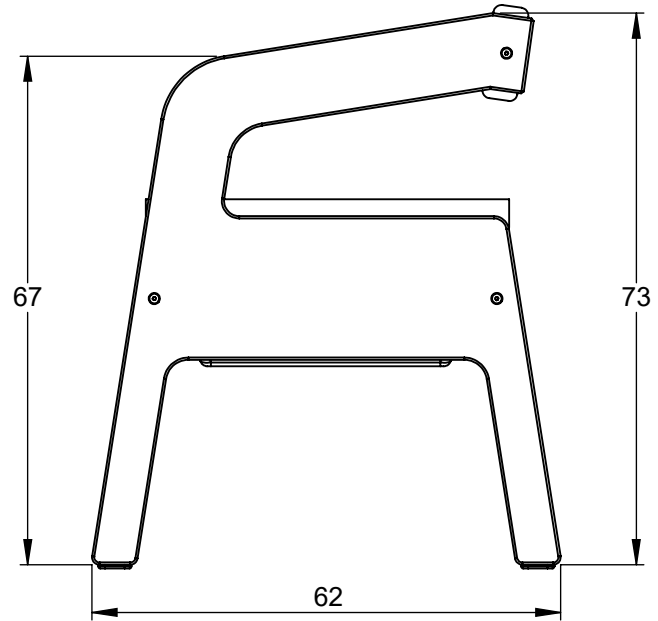
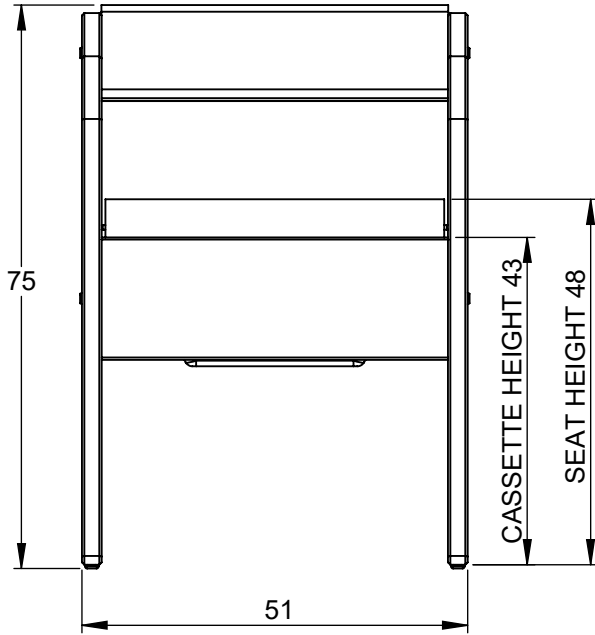


GORDON
ELLIS
& CO

PRODUCT DRAWING



DIMENSIONS IN CM



TECHNICAL SPECIFICATIONS



160 kg
350 lbs

MATERIAL(S): VENERED MDF; MDPE



CONSULT INSTRUCTIONS FOR USE



Gordon Ellis & Co. Trent Lane, Castle Donington, Derby. DE74 2AT. England

View our entire range online at: GordonEllisHealthcare.co.uk