

USER INSTRUCTIONS DUO WALKING TROLLEY

P23117

Turquoise Blue

P23129

Pebble Grey

⚠ GENERAL SAFETY WARNING ⚠

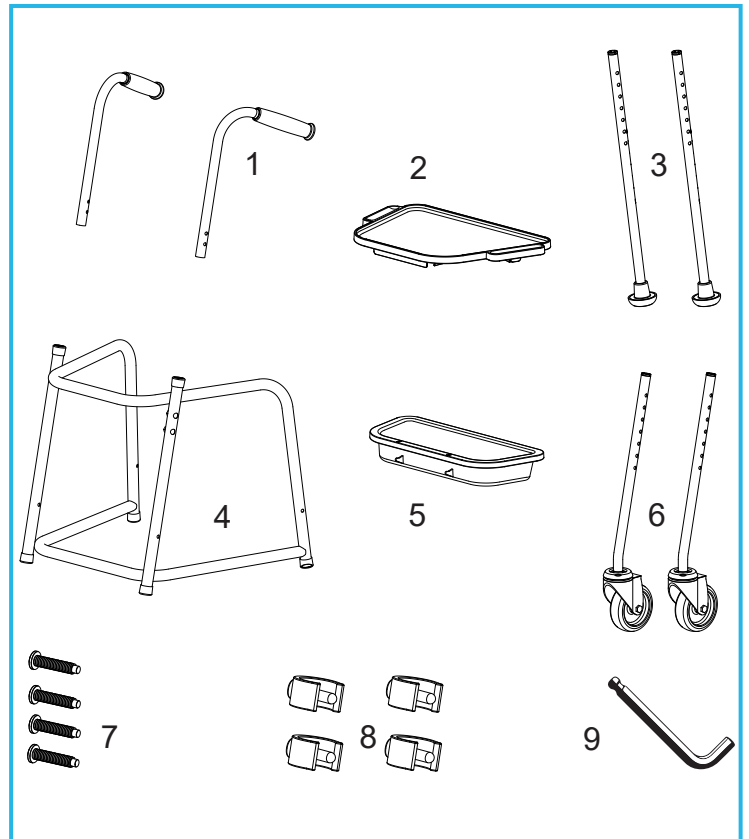
Please make sure that you read and follow these instructions carefully. Failure to do so can result in injury. Keep these instructions in a safe place for future reference.

MAXIMUM USER WEIGHT



1.0 INTENDED USE

For use as a lightweight household trolley, for the transfer of items around the home, for users with reduced mobility. The product is height adjustable and has been designed to allow a natural walking gait. The upper and lower trays will each take a load of up to 5 kg (11 lbs).



2.0 SAFETY

1. Do not use the trolley to transfer to or from a seated position.
2. The maximum load weight for the trolley trays must not be greater than 5 kg (11 lbs).
3. We strongly recommend using a non-slip mat and lidded drinks container for transporting food and drink on the trolley. Refer to Section 11.0 for recommended products.
4. Do not use the trolley if you see or suspect a fault or if any part of the product is damaged.
5. Make sure that all of the trolley legs are at the same height

3.0 UNPACKING

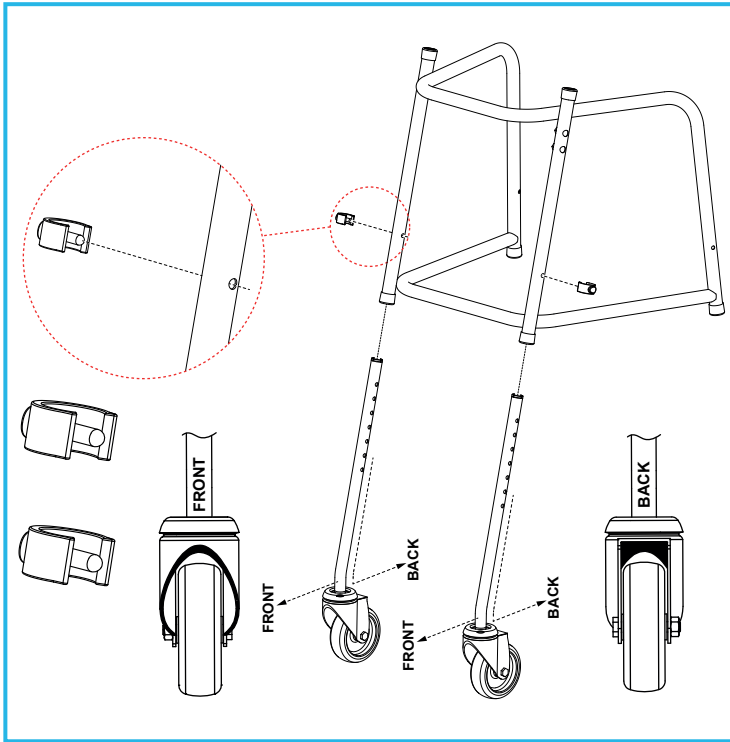
Remove the packaging and check all parts carefully. Contact your supplier immediately if parts are missing or damaged and do not try and assemble.

Contents:

1. Handles x 2
2. Top Tray x 1
3. Rear Legs (Slider Ferrules) x 2
4. Frame x 1
5. Bottom Tray x 1
6. Front Legs (Wheeled) x 2
7. Handle Screws x 4
8. E-Clip Fasteners x 4
9. Allen Key x 1

4.0 ASSEMBLY

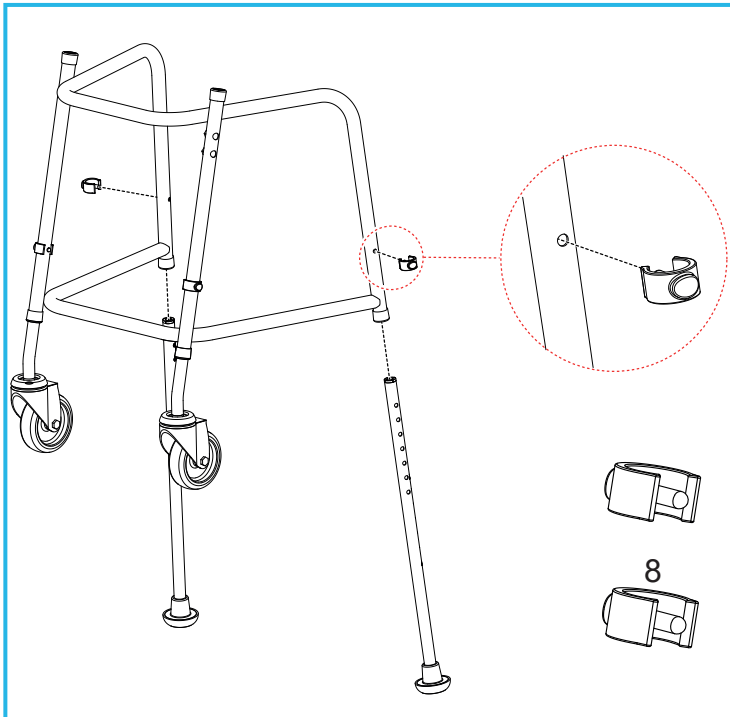
4.1 Fitting the Front Legs (Wheeled):



1. Insert the front legs into the frame and secure with 2 x E-Clips.

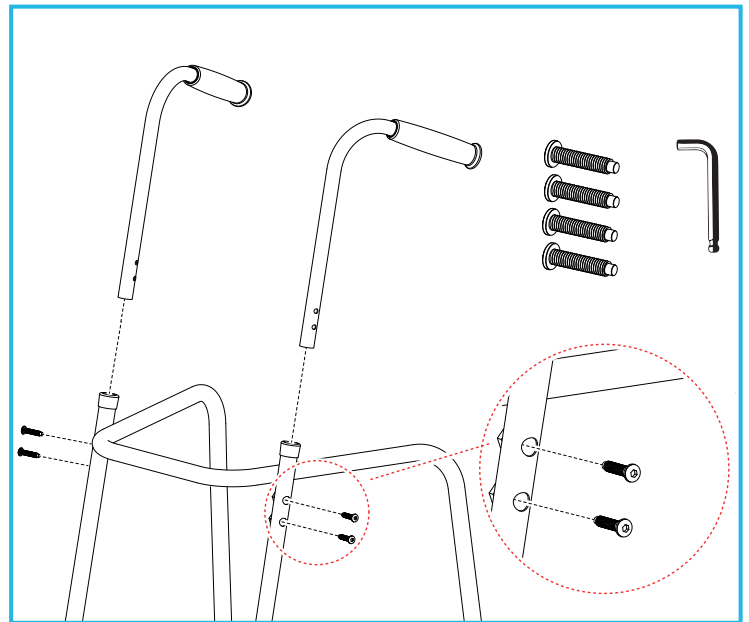
Warning: The front legs must be positioned as labelled. Failure to install the legs correctly will compromise the stability of the trolley.

4.2 Fitting the Rear Legs (Slider Ferrules):



1. Insert the rear legs into the frame and secure with 2 x E-Clips.
2. Use the front and rear leg height adjustment markers to make sure that all legs are adjusted to the same height.
3. Refer to Section 4.6 for the correct height adjustment for the user.

4.3 Fitting the Handles:



1. Insert the handles into the frame.
Note: The handles must face the rear of the trolley.
2. Align the four handle holes with the four holes in the frame.
3. Insert the 4 x handle screws and tighten using the Allen key.
Note: You must use all four of the handle screws provided.
4. Make sure the handles are fully secure by trying to push and pull the handles apart / together.
5. Use the Allen key to check the handle screws are still tight and re-tighten if necessary.

4.4 Fitting the Bottom Tray:



1. Place the bottom tray onto the bottom side rails of the frame, then push the tray forward until it clips into position
2. Check the tray is fully secure before use.

4.5 Fitting the Top Tray:



1. Place the top tray onto the top side rails of the frame, then push down on the tray until it clips into position.
2. Make sure that the tray is fully secure before use.

4.6 Height Adjustment:

4.6.1 Check Trolley Height:

When the trolley is correctly adjusted, the handles will line up with the users wrists.



1. To check the height, the user should stand behind the trolley with their arms relaxed by their side.

Note: Make sure that the user is wearing their normal indoor footwear before checking the height.

2. To check the height, the user should stand behind the trolley with their arms relaxed by their side.

Note: Make sure that the user is wearing their normal indoor footwear before checking the height.

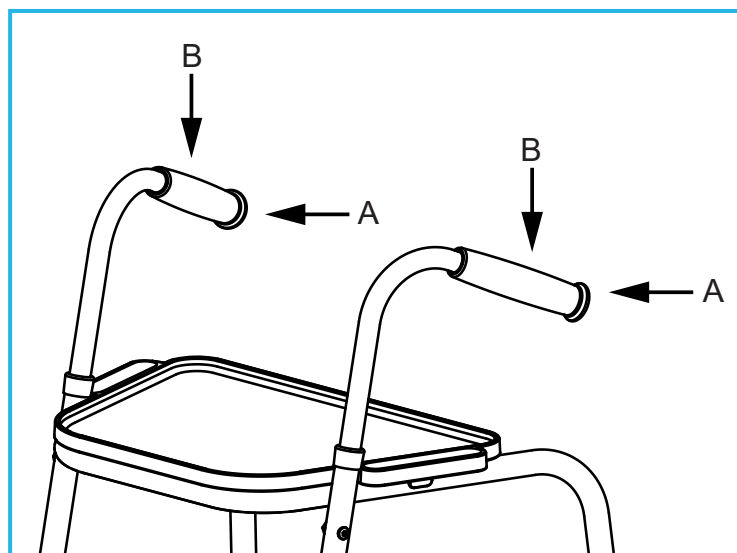
4.6.2 Adjust Trolley Height

If the trolley handles do not line up with the users wrists, the legs must be adjusted as necessary.

1. To adjust the trolley height, remove the E-Clips, securing the legs.
2. Adjust each leg to the applicable height and replace the e-clips.
3. Use the front and rear leg height adjustment markers to make sure that all legs are adjusted to the same height.
4. Refer to Section 4.1. Make sure that the front legs have been re-installed in the correct orientation.

5.0 USING THE DUO WALKING TROLLEY

The Duo Walking Trolley has been designed to slide forward when under minimal load.



1. Use as a normal household trolley pushing the trolley in front of you (Action A).
2. To stop the trolley the user should push down the trolley handles (Action B).
3. The trolley can be used as a meal table. When seated, pull the trolley towards you using the lower part of the trolley frame. Do not pull the trolley towards you using the handles, this can cause the trolley to tip.
4. To stop items from slipping during use, it is recommended that you use a non-slip mat on the top tray (refer to Section 11.0 for details).

6.0 CLEANING

1. Remove the trays for cleaning.
2. Wipe clean the trays and frame using a soft, non-abrasive cloth with a mild detergent or disinfectant.
3. Make sure wheels and slider ferrules are free from accumulated debris.

7.0 MAINTENANCE

1. Check slider ferrules at regular intervals for damage, wear or the accumulation of dirt. Replacement slider ferrules can be purchased from one of our websites (see details below).
2. Refer to Section 8.0 for details of the available spares.
3. Check the trolley legs and frame for damage at regular intervals.

Warning: Do not use the trolley if the legs or frame are damaged in any way.

4. Please contact your supplier if you require assistance with the maintenance of the trolley. Incorrect adjustments can result in serious injury.

8.0 ACCESSORIES & SPARE PARTS

Upper Tray N43188 x 1

Lower Tray N43199 X 1

E-Clips N43218 X 4

Slider Ferrules N43229 X 2

For more details please visit one of our websites or call Customer Services (see details below).

9.0 PRODUCT DISPOSAL

This product should be thoroughly cleaned prior to disposal.

This product is manufactured from metal and plastic and can be disposed of through Local Authority Household Waste and Recycling Centres or through Local Trade Waste Collectors.

10.0 PRODUCT GUARANTEE

NRS Healthcare guarantee this product for a period of 24 months, from the date of purchase, against faulty materials and workmanship.

This guarantee does not cover abuse, interference or tampering with any part of the products. Issues arising from fair wear & tear and customer misuse are not covered.

This guarantee covers domestic use only. If the product is used in commercial or semi-commercial settings such as care homes, schools, rental or communal accommodation etc, the guarantee is

valid for one year only. Consumable parts are also guaranteed for one year only.

Any guarantee issued by NRS Healthcare does not affect your statutory rights.

11.0 REFERENCED PRODUCTS

NRS recommends the following products for use with the Duo Walking Trolley.



Figure 1: Non-Slip Mat (F17628)



Figure 2: Thermo Mug (N05564)



Figure 3: Shaped Spouted Lid (M18886)

UK CA NRS HEALTHCARE Sherwood House,
Cartwright Way, Forest Business Park, Bardon
Hill, Coalville, Leicestershire, LE67 1UB, UK.

CE NRS HEALTHCARE 4C Altona Road, Blaris
Industrial Estate, Lisburn, Co Antrim,
Northern Ireland BT27 5QB

Tel: Customer Services: +44 (0)345 121 8111

Email: customerservice@nrshealthcare.co.uk

NRS Healthcare is a leading supplier of community equipment and daily living aids.

Please visit one of our websites to view our full range of products:

www.healthcarepro.co.uk or www.completecareshop.co.uk